

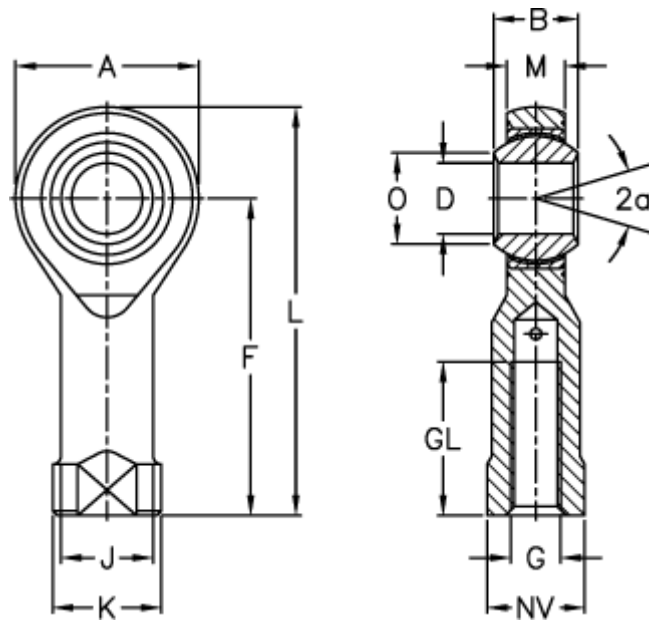
Data Sheet



Article number: 03013016150

Description: Fluro Rod End GIRSW 16 16x1,5
Housing stainless steel

Measures



A	= 42	J	= 22	Weight (g) = 230
a (degrees)	= 15	K	= 27	
B	= 21	L	= 85	
D	= 16	M	= 15	
Dynamic load C (kN)	= 52.5	NV	= 22	
F	= 64	O	= 19.3	
G	= M16x1,5	Permissible rpm	= 230	
GL	= 28	Static load C0 (kN)	= 60.5	